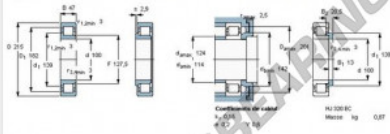


Zylinderrollenlager NJ320-ECP-SKF - NJ320-ECP-SKF

<https://www.123kugellager.de/kugellager-gehauselager/zylinderrollenlager/zylinder/nj320-ecp-skf>

Dimensions d'encombrement			Charges de base		Désignation	Bague d'épaulement
d	D	B	dynamique C	statique C ₀	* Roulement SKF Explorer	Désignation
mm 100	215	47	450	440	NJ 320 ECP *	HJ 320 EC



The technical drawing shows a cross-section of the NJ320-ECP-SKF roller bearing. It features a single row of cylindrical rollers between an inner ring and an outer ring. The inner ring has a diameter of 100 mm, and the outer ring has a diameter of 215 mm. The bearing width is 47 mm. The drawing also shows the internal components, including the rollers and the cage. The bearing is shown in a disassembled state, with the inner ring, rollers, and outer ring separated. The drawing includes various dimension lines and labels for the different parts of the bearing.

PRODUKTMERKMALE

Marke	SKF
N° Ean13	7316570483352
Innendurchmesser	100 mm
Außendurchmesser	215 mm
Dicke	47 mm
Verpackung	1

kontakt@123kugellager.de

0800 001 076 6

CRT4 de Lesquin 60 Rue Du Haut De Sainghin 59273 Fretin FRANCE