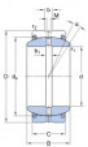
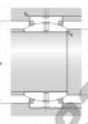


Gelenklager GEZ GEZ-208-ES-2RS-SKF - GEZ-208-ES-2RS-SKF

<https://www.123kugellager.de/kugellager-gehauselager/gelenkkopfe-gelenklager/gez/gez-208-es-2rs-skf>

<p>Dimensions</p> 	<table border="1"> <tr><td>d</td><td>63.5</td><td>mm</td></tr> <tr><td>D</td><td>100.013</td><td>mm</td></tr> <tr><td>B</td><td>55.55</td><td>mm</td></tr> <tr><td>C</td><td>47.625</td><td>mm</td></tr> <tr><td>d₁</td><td>6</td><td>"</td></tr> <tr><td>b</td><td>91.155</td><td>mm</td></tr> <tr><td>b₁</td><td>6</td><td>mm</td></tr> <tr><td>M</td><td>6.5</td><td>mm</td></tr> <tr><td>R</td><td>0.6</td><td>mm</td></tr> <tr><td>C</td><td>max. 1</td><td>mm</td></tr> </table>	d	63.5	mm	D	100.013	mm	B	55.55	mm	C	47.625	mm	d ₁	6	"	b	91.155	mm	b ₁	6	mm	M	6.5	mm	R	0.6	mm	C	max. 1	mm
d	63.5	mm																													
D	100.013	mm																													
B	55.55	mm																													
C	47.625	mm																													
d ₁	6	"																													
b	91.155	mm																													
b ₁	6	mm																													
M	6.5	mm																													
R	0.6	mm																													
C	max. 1	mm																													
<p>Dimensions d'appui</p> 	<table border="1"> <tr><td>d₁</td><td>min. 68.3</td><td>mm</td></tr> <tr><td>d₂</td><td>max. 72.3</td><td>mm</td></tr> <tr><td>D₁</td><td>max. 87</td><td>mm</td></tr> <tr><td>D₂</td><td>max. 94.7</td><td>mm</td></tr> <tr><td>r₁</td><td>max. 0.6</td><td>mm</td></tr> <tr><td>r₂</td><td>max. 1</td><td>mm</td></tr> </table>	d ₁	min. 68.3	mm	d ₂	max. 72.3	mm	D ₁	max. 87	mm	D ₂	max. 94.7	mm	r ₁	max. 0.6	mm	r ₂	max. 1	mm												
d ₁	min. 68.3	mm																													
d ₂	max. 72.3	mm																													
D ₁	max. 87	mm																													
D ₂	max. 94.7	mm																													
r ₁	max. 0.6	mm																													
r ₂	max. 1	mm																													
<p>Données de calcul</p> <p>Charge dynamique de base</p> <p>Charge statique de base</p> <p>Facteur de charge dynamique spécifique</p> <p>Facteur de charge statique spécifique</p> <p>Constante de matériau</p> <p>Masse</p> <p>Masse de la rouille</p>	<table border="1"> <tr><td>C</td><td>345</td><td>kN</td></tr> <tr><td>C₀</td><td>1040</td><td>kN</td></tr> <tr><td>K</td><td>100</td><td>N/mm³</td></tr> <tr><td>K₀</td><td>300</td><td>N/mm³</td></tr> <tr><td>K₁₀</td><td>300</td><td></td></tr> <tr><td>Masse</td><td>1.85</td><td>kg</td></tr> </table>	C	345	kN	C ₀	1040	kN	K	100	N/mm ³	K ₀	300	N/mm ³	K ₁₀	300		Masse	1.85	kg												
C	345	kN																													
C ₀	1040	kN																													
K	100	N/mm ³																													
K ₀	300	N/mm ³																													
K ₁₀	300																														
Masse	1.85	kg																													

PRODUKTMERKMALE

Marke	SKF
N° Ean13	7316576612343
Innendurchmesser	63.5 mm
Außendurchmesser	100.013 mm
Dicke	55.55 mm
Typ	-
Gewicht	1730 g
Gewinde	-
Schmierung	-
Dynamische Belastung	345 kN
Statische Belastung	1040 kN
Verpackung	-
Standard	-

kontakt@123kugellager.de

0800 001 076 6

CRT4 de Lesquin 60 Rue Du Haut De Sainghin 59273 Fretin FRANCE