


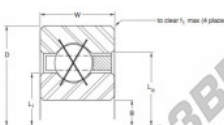
Rillenkugellager einreihig PC140-XP0-RBC - PC140-XP0-RBC


<https://www.123kugellager.de/kugellager-gehauselager/rillenkugellager/einreihig/pc140-xp0-rbc>

4-POINT CONTACT, X-TYPE
THIN SECTION BALL BEARINGS



- 17-4PH Steel with Ceramic Balls
- Large Diameter
- Light Weight
- Small Cross Section
- Snap-Over Ball Separator





Series: **PC**
Cross Section Size: **3/8"**

		P
Material Type	Rings	17-4 PH
	Balls	SiC/Ni
Typical Intrinsic		W500
Corrosion Resistance Material		Very Good
Fatigue Resistance		Poor
Friction Resistance		Poor
Permeative		May be supplied with or without permeative

PART NUMBER	B Bore	D Outside Diameter	W Width		L1 - Inner Ring			L2 - Outer Ring		T Housing Fillet	Ball Diameter		
			mm	in	mm	in	mm	in					
PC140XP0RBC	14.920	374.625	14.700	374.625	6.375	9.525	14.251	362.74	14.489	367.31	6.349	1.02	3/16

Ball Quantity	Approx. Weight	LOAD RATINGS						Limiting Speed (RPM)						
		Radial		Tangential		Moment								
		Static	Dynamic	Static	Dynamic	Static	Dynamic							
115	1.52 (1.689)	8970	30,741	2,862	12,738	17,260	59,875	4,899	17,170	16,896	3,810	14,424	17,741	830

PRODUKTMERKMALE

Marke	RBC
N° Ean13	3663952546520
Innendurchmesser	355.6 mm
Innendurchmesser	14" inch
Außendurchmesser	374.65 mm
Außendurchmesser	14 3/4" inch
Dicke	9.525 mm
Dicke	3/8" inch
Gewicht	689 g
Verpackung	1

kontakt@123kugellager.de

0800 001 076 6

CRT4 de Lesquin 60 Rue Du Haut De Sainghin 59273 Fretin FRANCE