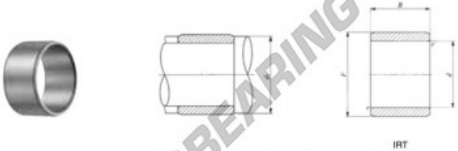


Zubehör IRT4030-IKO - IRT4030-IKO

<https://www.123kugellager.de/kugellager-gehauselager/gehauselager/zubehor/irt4030-iko>

IKO
INNER RINGS
Inner Rings for Shell Type Needle Roller Bearings



Shaft dia. mm	Identification number	Mass (Ref.) g	Boundary dimensions mm				Shoulder height mm		Assembled bearings		
			d	F	B	r _s min	r _s (1)	d _s Min.	d _s Max.	TA--Z (TAM)	TLA--Z (TLAM)
40	IRT 4030	78.5	40	45	30.5	0.6	44	45.5	TA 4530Z	—	—

Note(1) Minimum allowable value of chamfer dimension r
Remark No oil hole is provided.

PRODUKTMERKMALE

Marke	IKO
N° Ean13	3663952411095
Innendurchmesser	40 mm
Außendurchmesser	45 mm
Dicke	30.5 mm
Verpackung	-

kontakt@123kugellager.de

0800 001 076 6

CRT4 de Lesquin 60 Rue Du Haut De Sainghin 59273 Fretin FRANCE