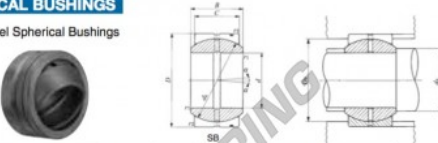


## Gelenklager GE SB9515082-IKO - SB9515082-IKO

<https://www.123kugellager.de/kugellager-gehauselager/gelenkkopfe-gelenklager/ge/sb9515082-iko>

**IKO**  
**SPHERICAL BUSHINGS**  
Steel-on-steel Spherical Bushings



Shaft dia. mm	Identification number		Mass (Ref.) kg	Boundary dimensions mm						Permissible tilting angle degree
	$d$	$D$	$B$	$C$	$d_k$	$r_1$	$r_2$	$\alpha$		
95	SB 9515082		6.05	95	150	82	70	140	0.6	5
Mounting dimensions mm		Dynamic load capacity $C_d$ N		Static load capacity $C_s$ N						
$d_s$	$D_s$									
Min.	Max. <sup>(2)</sup>	Min.								
99.5	113.5	145.5	130	961 000	5 770 000					

Notes:<sup>(1)</sup> Minimum allowable value of chamfer dimensions  $r_1$  and  $r_2$ .  
<sup>(2)</sup> When Spherical Bushings are used with full tilting angle, the shaft shoulder dimension must be less than the maximum value of  $d_s$ .  
Remark 1. The inner ring and the outer ring have an oil groove and two oil holes, respectively.  
2. Not provided with prepacked grease. Perform proper lubrication for use.

### PRODUKTMERKMALE

Marke	IKO
N° Ean13	3663952391519
Innendurchmesser	95 mm
Außendurchmesser	150 mm
Dicke	82 mm
Typ	GE
Schmierung	ohne
Verpackung	1

[kontakt@123kugellager.de](mailto:kontakt@123kugellager.de)

0800 001 076 6

CRT4 de Lesquin 60 Rue Du Haut De Sainghin 59273 Fretin FRANCE