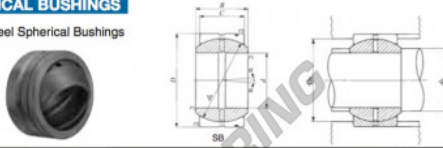


Gelenklager GE SB6510555-IKO - SB6510555-IKO

<https://www.123kugellager.de/kugellager-gehauselager/gelenkkopfe-gelenklager/ge/sb6510555-iko>

IKO
SPHERICAL BUSHINGS
Steel-on-steel Spherical Bushings



Shaft dia. mm	Identification number	Mass (Ref.) kg	Boundary dimensions mm						Permissible tilting angle degree
			d	D	B	C	d _k	r ₁ mm ⁽¹⁾	
65	SB 6510555	2.05	65	105	55	47	94	0.6	5

Mounting dimensions mm				Dynamic load capacity C _d N	Static load capacity C _s N
d _s	D _s	Min.	Max. ⁽²⁾		
69.5	76	100.5	87	433 000	2 600 000

Notes⁽¹⁾ Minimum allowable value of chamfer dimensions r₁ and r₂.
⁽²⁾ When Spherical Bushings are used with full tilting angle, the shaft shoulder dimension must be less than the maximum value of d_s.
 Remark: The inner ring and the outer ring have an oil groove and two oil holes, respectively.
 2. Not provided with prepacked grease. Perform proper lubrication for use.

PRODUKTMERKMALE

Marke	IKO
N° Ean13	3663952391397
Innendurchmesser	65 mm
Außendurchmesser	105 mm
Dicke	55 mm
Typ	GE
Gewicht	2050 g
Schmierung	ohne
Verpackung	-
Standard	Ohne Standard

kontakt@123kugellager.de

0800 001 076 6

CRT4 de Lesquin 60 Rue Du Haut De Sainghin 59273 Fretin FRANCE