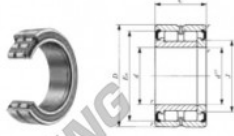


Nadellager NAG4913-UU-IKO - NAG4913-UU-IKO

<https://www.123kugellager.de/kugellager-gehauselager/nadellager/radial/nag4913-uu-iko>

IKO
ROLLER BEARINGS

Caged Roller Bearings **[With Seal]**
Full Complement Roller Bearings **[With Seal]**



NAG49-UU

Shaft dis. mm	Identification number			Mass (Ref.) g	Boundary dimensions mm				
	Full complement type	Caged type			d	D	C	r ⁽¹⁾ min	J
65	NAG 4913UU	—		455	65	90	25	1	72
E_w	Basic dynamic load rating C	Basic static load rating C ₀	Allowable rotational speed n ₂ rpm						
83	53 200	93 000	1 900						

Notes: (1) Minimum allowable value of chamfer dimension r.
(2) Allowable rotational speed applies to grease lubrication. Considering that the axial load acts under practical operating conditions, up to 1/10 of this value is recommended for actual use.
Remarks: 1. The NAG and NAU series with a bore diameter, d, of 17 mm or less have no oil hole. In others, the outer ring has an oil groove and two oil holes.
2. The bearings with seals are provided with prepacked grease.

PRODUKTMERKMALE

Marke	IKO
N° Ean13	3663952386270
Innendurchmesser	65 mm
Innendurchmesser	2.559" inch
Außendurchmesser	90 mm
Außendurchmesser	3.543" inch
Dicke	25 mm
Dicke	0.984" inch
Verpackung	1

kontakt@123kugellager.de

0800 001 076 6

CRT4 de Lesquin 60 Rue Du Haut De Sainghin 59273 Fretin FRANCE