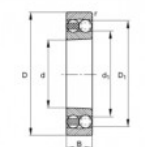


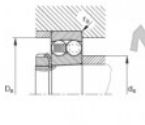
Rillenkugellager einreihig 2322-K-M-C3-FAG - 2322-K-M-C3-FAG

<https://www.123kugellager.de/kugellager-gehauselager/rillenkugellager/einreihig/2322-k-m-c3-fag>

Self-aligning ball bearings 2322-K-M-C3
main dimensions to DIN 630, with tapered bore, taper 1:12



d	110 mm
D	240 mm
B	80 mm
D ₁	203 mm
D _{2 max}	228 mm
d ₁	145.5 mm
d _{2 min}	124 mm
f _{a max}	2.5 mm
f _{min}	3 mm
m	27.5 kg Mass
C	321000 N Basic dynamic load rating, radial
e	0.37
Y ₁	1.69
Y ₂	2.62
C ₀	94000 N Basic static load rating, radial
Y ₃	1.77
n ₀₁	4300 1/min Limiting speed
n ₀₂	4600 1/min Reference speed
C ₁₀	4400 N Fatigue limit load, radial



PRODUKTMERKMALE

Marke	FAG
N° Ean13	3663952350660
Innendurchmesser	110 mm
Außendurchmesser	240 mm
Dicke	80 mm
Verpackung	1

kontakt@123kugellager.de

0800 001 076 6

CRT4 de Lesquin 60 Rue Du Haut De Sainghin 59273 Fretin FRANCE