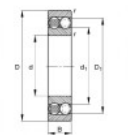


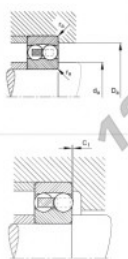
Pendelkugellager 1320-M-FAG - 1320-M-FAG

<https://www.123kugellager.de/kugellager-gehauselager/rillenkugellager/pendelkugellager/1320-m-fag>

Self-aligning ball bearings 1320-M
main dimensions to DIN 625



d	100 mm
D	215 mm
B	47 mm
C ₁	2.4 mm <small>The ball projection must be taken into consideration when designing the adjacent construction.</small>
D ₁	182.6 mm
D _{1max}	201 mm
d ₁	135.5 mm
d _{2max}	114 mm
f _{smax}	2.5 mm
f _{max}	3 mm
m	9.06 kg <small>Mass</small>
C	145000 N <small>Basic dynamic load rating, radial</small>
e	0.24
Y	2.58
Y ₂	4.15
C ₀	57000 N <small>Basic static load rating, radial</small>
Y ₀	2.81
n _C	4800 1/min <small>Limiting speed</small>
n ₀	5400 1/min <small>Reference speed</small>
C ₁₀	2800 N <small>Fatigue limit load, radial</small>



Ball projection C1

PRODUKTMERKMALE

Marke	FAG
N° Ean13	3663952346502
Innendurchmesser	100 mm
Außendurchmesser	215 mm
Dicke	47 mm
Verpackung	1

kontakt@123kugellager.de

0800 001 076 6

CRT4 de Lesquin 60 Rue Du Haut De Sainghin 59273 Fretin FRANCE